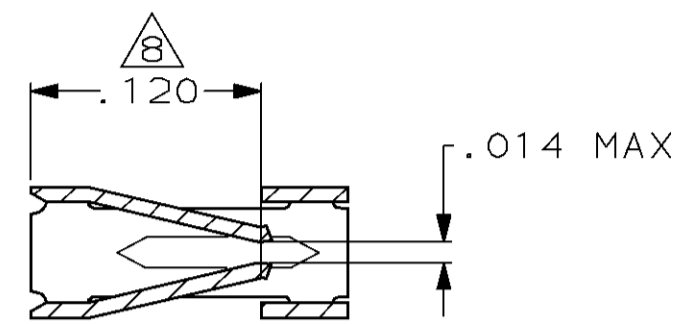
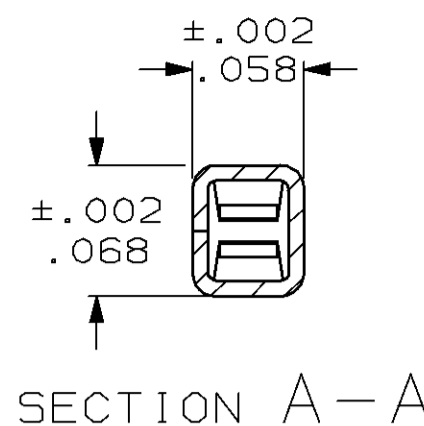
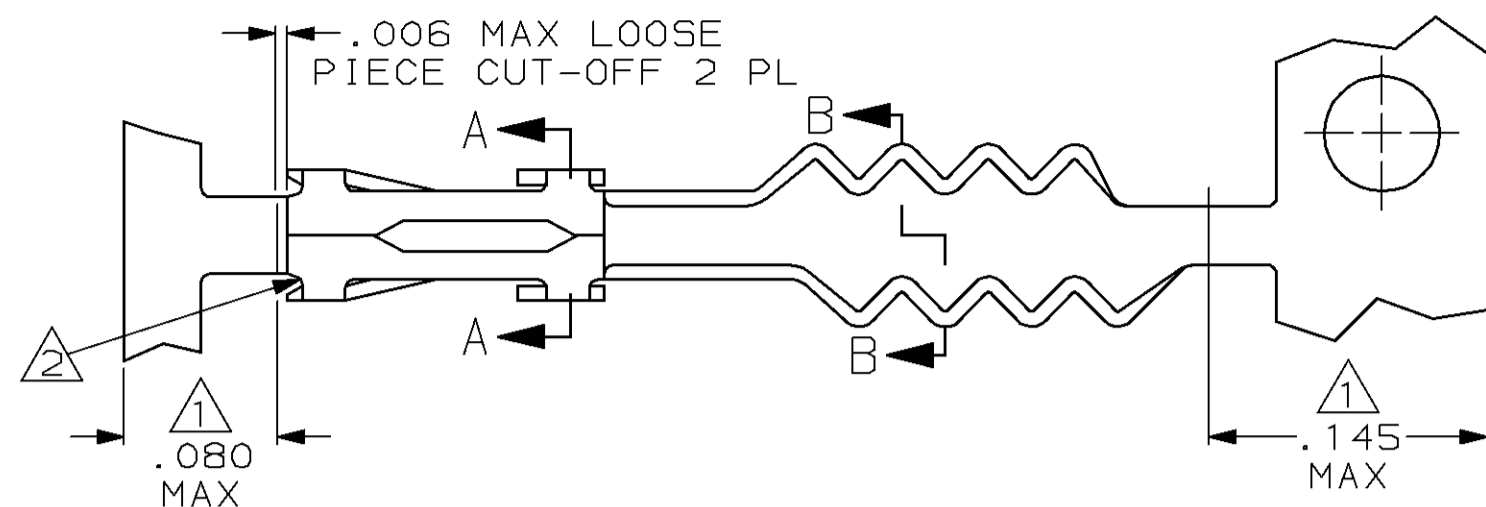
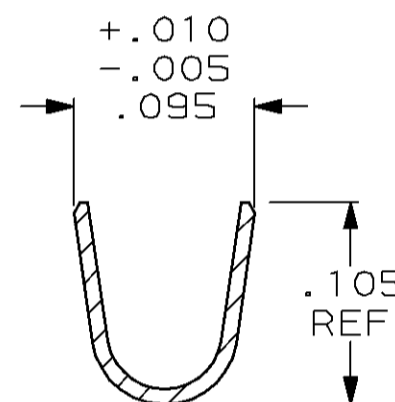


THIS DRAWING IS UNPUBLISHED. RELEASED FOR PUBLICATION, 19
 © COPYRIGHT 19 BY AMP INCORPORATED, HARRISBURG, PA. ALL INTERNATIONAL RIGHTS RESERVED. AMP PRODUCTS MAY BE COVERED BY U.S. AND FOREIGN PATENTS AND/OR PATENTS PENDING.

LOC AD	DIST	P	F	ZONE	LTR	DESCRIPTION	DATE	APPROVED
AD	39				E	REVISED AND REDRAWN ECN 893	12-10-86	JLG
					E1	REVISED ECN 1019	4-24-86	-
					F	REV ECN AR2029 AR2120	9-27-88	-
					G	REV LOC & DIST AD-4171	3-90	BS
					H	OBS -2 PER 0010-0805-93	7-93	BS
					J	OBS -7 PER 0010-1863-93	1-94	PS
					K	REV PER 0310-0030-98	07-30-98	ECC

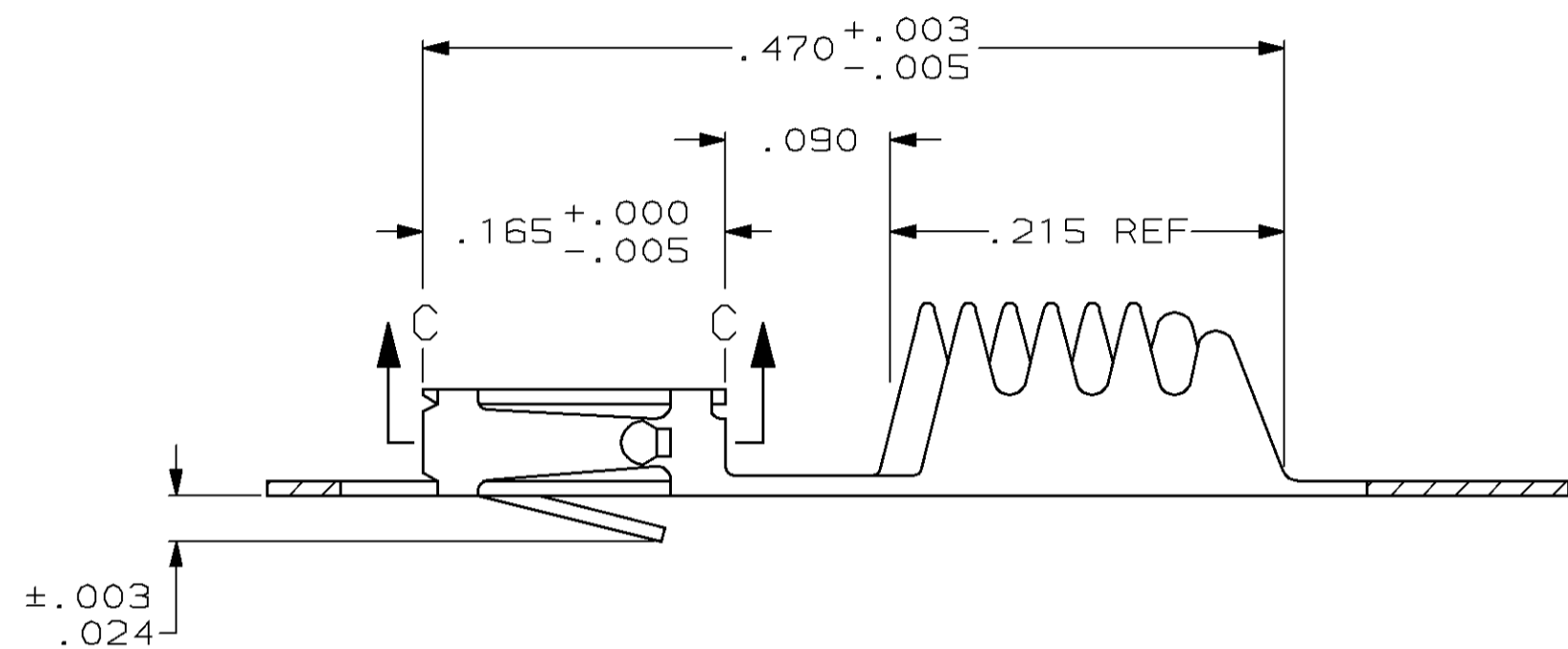


SECTION C-C



INSULATION RANGE .055 MAX

SECTION B-B



- ① GOLD PLATING IS NOT REQUIRED IN THIS AREA.
- ② CUT-OUTS ON THE BOX ARE AT MANUFACTURERS OPTION.
- ③ THIS TERMINAL IS REELED FOR THE STANDARD APPLICATOR.
- ④ THIS TERMINAL IS REELED FOR THE MINI APPLICATOR.
- ⑤ .000030 GOLD OVER .000050 NICKEL.
- ⑥ .000030 GOLD ON THE CONTACT AREA, GOLD FLASH ON THE REMAINDER ALL OVER .000050 NICKEL.
- ⑦ PREPLATED: (HALT) .000078-.000158 BRIGHT TIN
- ⑧ POINT OF MEASUREMENT FOR PLATING THICKNESS (INSIDE BEAMS).
- ⑨ OBSOLETE PART NO.

87107-3	④	⑦	102348-3	87107-6
87107-8	④	⑥	102348-2	87107-5
87107-8	③	⑥	102348-2	
⑨ 87107-7	④	⑤	102348-1	⑨ 87107-2
⑨ 87107-7	③	⑤	102348-1	
IN-PROCESS PART NUMBER	REMARKS	FINISH	LOOSE PIECE PART NUMBER	PART NUMBER

UNLESS OTHERWISE SPECIFIED DIMENSIONS ARE IN INCHES TOLERANCES ON :	DR 12-10-85
	L D RINGLY
2 PL DEC ± -	CHK 12-16-85
	J L GESFORD
3 PL DEC ± .005	APPD 12-16-85
	J L GESFORD
ANGLES ± -	APPD 12-16-85
	C LINDGREN
MATERIAL: BERYLLIUM COPPER, .008 THICK	PRODUCT SPEC 108-25,020
FINISH:	APPLICATION SPEC 114-25,003
	WEIGHT -

AMP AMP INCORPORATED Harrisburg, Pa. 17105		
NAME CONTACT, MOD IV, RECEPTACLE, CRIMP SNAP-IN		
SIZE C	FSCM NO 00779	DRAWING NO 87107
SCALE NTS	SHEET 1 - 1	